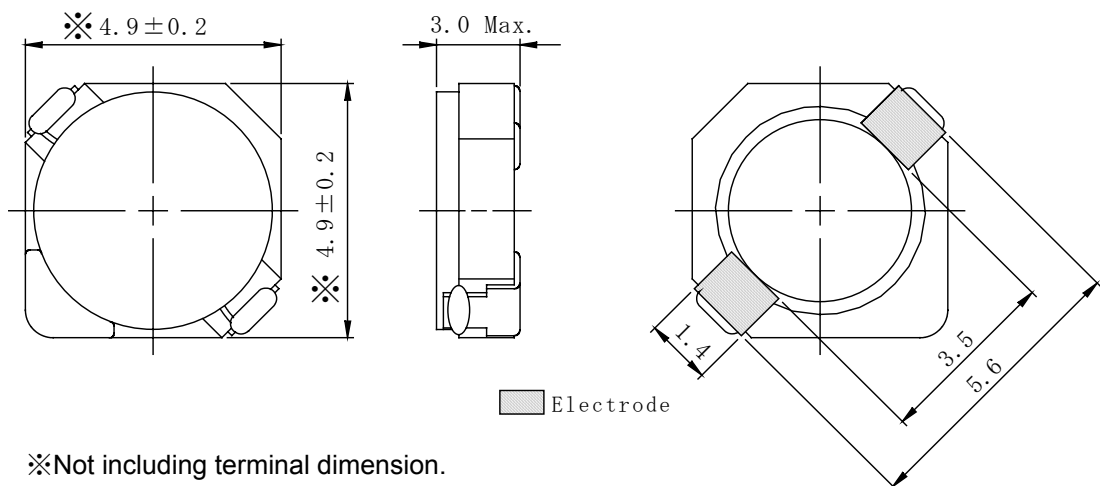
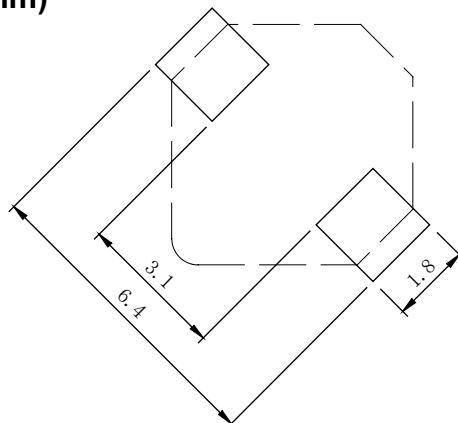


**Type: CDRH4D29/LD**
**◆ Product Description**

- 5.1 × 5.1mm Max.(L×W), 3.0mm Max. Height.
- Inductance range: 0.8~100 μH
- Rated current range: 0.29~3.0 A
- Custom design is available.


**◆ Feature**

- Magnetically shielded construction.
- Ideally used in Mobile phone, PDA, MP3, HDD, DSC/DVC, Note book PC, etc as DC-DC converter.
- RoHS Compliance

**◆ Dimensions (mm)**

**◆ Land Pattern (mm)**


**Type: CDRH4D29/LD**
**◆ Specification**

Part Name ※	Stamp	Inductance ( $\mu$ H) 100kHz/1V	D.C.R.(m $\Omega$ ) Max.(Typ.) (20°C)	Saturation Current (A) ※1		Temperature rise current (A)※2
				(20°C)	(105°C)	
CDRH4D29LDNP-R80P□	R80	0.80±25%	13.9(11.1)	3.0	2.5	5.4
CDRH4D29LDNP-1R5P□	1R5	1.5±25%	18.0(14.4)	2.4	2	4.5
CDRH4D29LDNP-2R2P□	2R2	2.2±25%	20.1(16.1)	2	1.7	4.1
CDRH4D29LDNP-3R3P□	3R3	3.3±25%	29.5(23.6)	1.6	1.3	3.2
CDRH4D29LDNP-4R7P□	4R7	4.7±25%	35.4(28.3)	1.3	1.1	2.8
CDRH4D29LDNP-5R6P□	5R6	5.6±25%	45.9(36.7)	1.2	1.0	2.4
CDRH4D29LDNP-6R8P□	6R8	6.8±25%	49.3(39.4)	1.15	0.95	2.3
CDRH4D29LDNP-8R2P□	8R2	8.2±25%	53.3(42.6)	1.0	0.85	2.2
CDRH4D29LDNP-100M□	100	10.0±20%	71.6(57.3)	0.9	0.76	1.85
CDRH4D29LDNP-150M□	150	15.0±20%	93.0(74.4)	0.72	0.62	1.7
CDRH4D29LDNP-220M□	220	22.0±20%	122(97.6)	0.65	0.53	1.35
CDRH4D29LDNP-330M□	330	33.0±20%	190(152)	0.52	0.43	1.05
CDRH4D29LDNP-390M□	390	39.0±20%	218(174)	0.46	0.4	1.0
CDRH4D29LDNP-470M□	470	47.0±20%	238(190)	0.41	0.36	0.95
CDRH4D29LDNP-680M□	680	68.0±20%	355(284)	0.36	0.3	0.75
CDRH4D29LDNP-820M□	820	82.0±20%	474(379)	0.32	0.27	0.62
CDRH4D29LDNP-101M□	101	100±20%	523(418)	0.29	0.24	0.58

**※ Description Of Part Name:**

CDRH4D29LDNP- R80P□  
└─ B Box  
└─ C Carrier Tape

※1.Saturation Current: The DC current at which the inductance decreases to 65% of it's nominal value.

※2.Temperature rise current:The DC current at which the temperature rise is  $\Delta t=40^{\circ}\text{C}$ .( $T_a=20^{\circ}\text{C}$ )